

MHP13AT

TRAILER MOUNTED BOOM LIFT



- Safe and stable working height of up to 12.9m
- Heavy duty trailer mounted articulated boom lift
- Robust steel platform with two man capacity
- Easy to use outrigger/boom safety interlocks
- Ideal for a wide range of applications

 **snorkel**[™]
www.snorkellifts.com

TRAILER MOUNTED BOOM LIFT

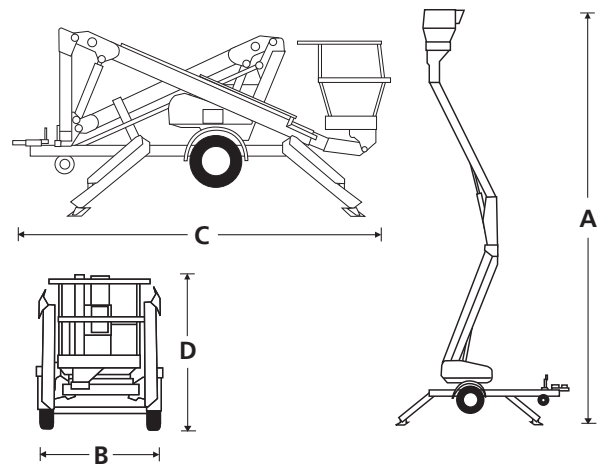
MHP13AT

| DIMENSIONS | MHP13AT |
|--|--------------|
| Max.height | 12.9m |
| Max. platform height (A) | 10.9m |
| Horizontal outreach | 6.4m |
| Platform size | 1.15m x 0.7m |
| Overall width (outriggers extended) | 3.6m |
| Overall width (outriggers retracted) (B) | 1.6m |
| Overall length (C) | 4.9m |
| Transport length (D) | 2.0m |

| PERFORMANCE | |
|-----------------------|---------------------------------------|
| Platform capacity | 215kg |
| Max. wind speed | 12.5m/s |
| Levelling | auto |
| Turntable rotation | 540° non-continuous |
| Tyres | 185 R14 102/100P |
| Brakes | Hydraulic over-run non free reversing |
| Insulation rating | Nil |
| Trailer tongue weight | 80kg |

| POWER | |
|--------------|--------------|
| Power source | Honda petrol |

| WEIGHT | |
|--------------|---------|
| Gross weight | 1,460kg |



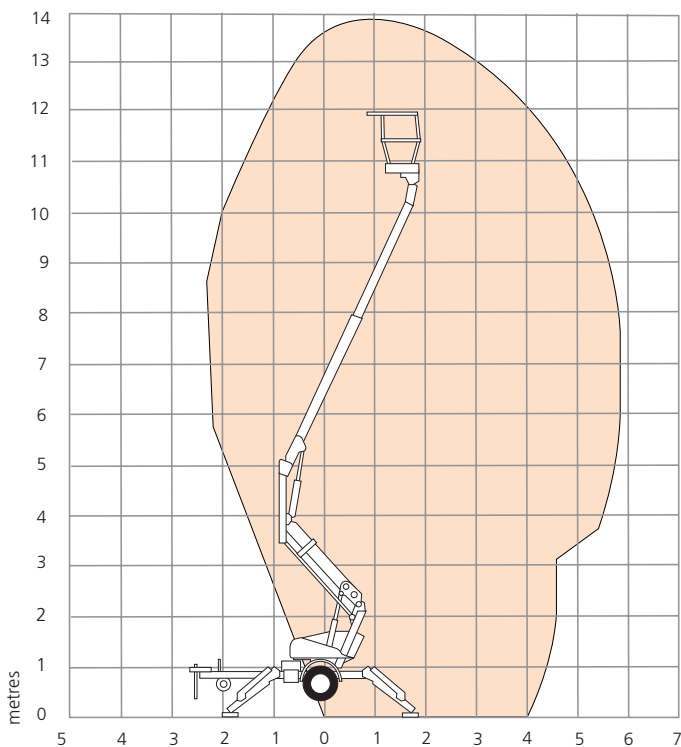
STANDARD FEATURES

- Heavy duty tow coupling
- Hydraulic stabilisers
- Two man steel platform
- Two person capacity
- Heavy duty jockey wheel
- Hydraulic disc brakes
- Reliable petrol engine
- Outrigger boom safety interlocks
- Platform foot switch
- Spare wheel
- LED taillights
- Lifting lugs
- Automatic self-levelling stabilisers
- Rotating basket mount
- Basket overload

OPTIONS

- Custom colours
- Platform work lights
- Air line to platform
- Flashing light
- 240V 110V outlet in platform
- Battery isolate switch
- Diesel and bi-energy options

WORKING ENVELOPE



snorkel www.snorkellifts.com

Vigo Centre, Birtley Road,
Washington, Tyne & Wear,
NE38 9DA, U.K.

t: +44 (0) 845 1550 057
e: sales@snorkellifts.com